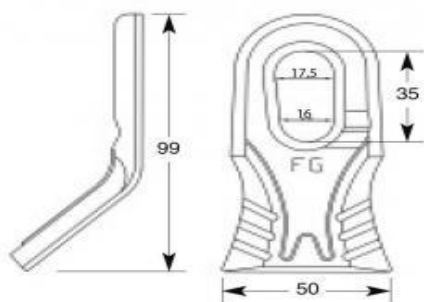


ŽOLIAPJOVIŲ PEILIUKŲ ESKIZAI

Nr.1



Nr.2

MANILLE MR 14

Réf. FG000790

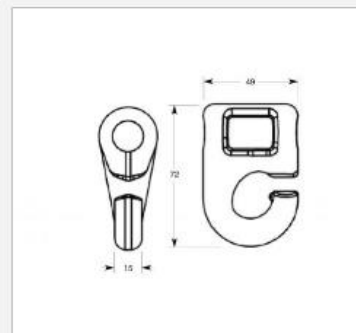
Manille Montage Rapide dia 14

Cote A : 49 mm

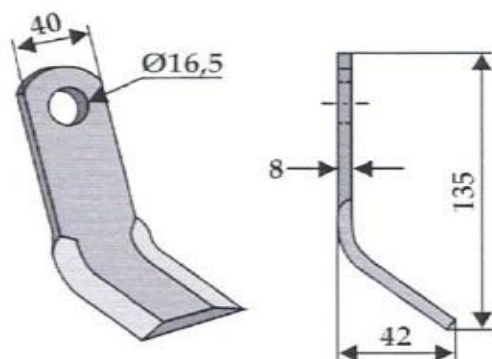
Cote B : 14.5 mm

Cote C : 72 mm

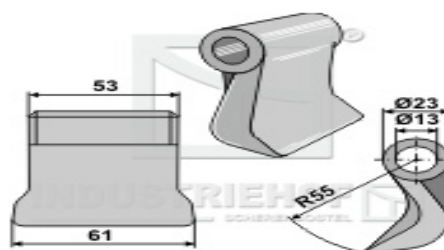
Cote D : 15 mm



Nr. 3



Nr.4



Part-no.	63-RM-98
Weight	0.330 kg
Radius	55
Working width	60
Assembly dimension	53
Hole	13
Orig.-part.no.	945000902
Catalogue	Group 3 / Page 57

Accessories

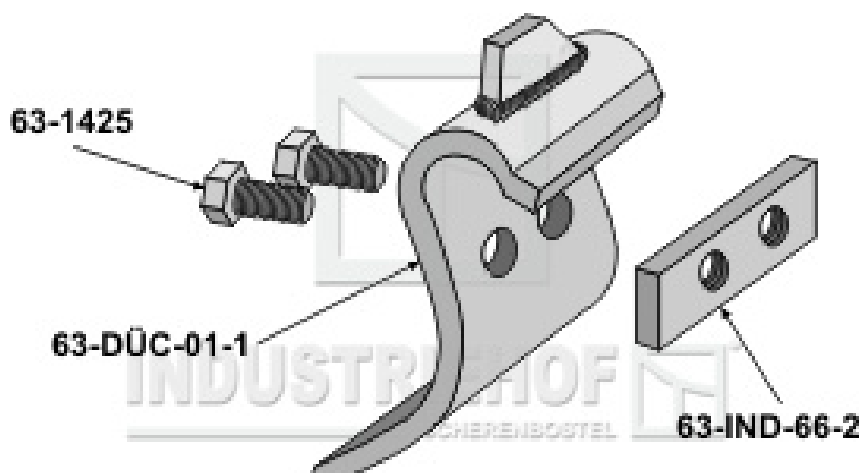
63-1292 Bolt M12x1,75 - 12.9

63-AS-11 Self-locking nut - M12x1,75

Nr. 5,6

Varžtas M12x1,75x90 kietumo klasė 12,9

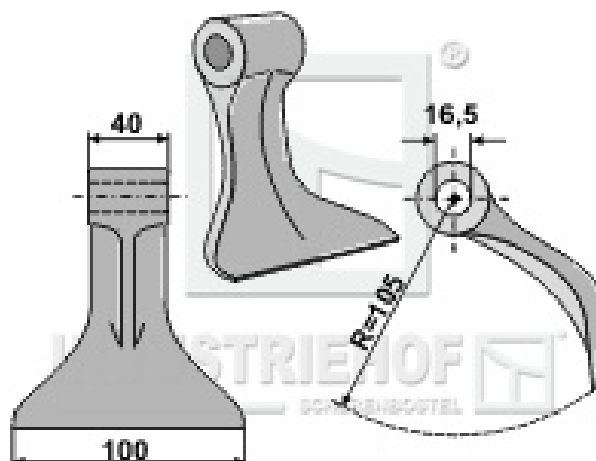
Veržlė fiksuojanti M12x1,75

Nr.7;8

Part-no.	63-DÜC-01
Weight	2.050 kg
Machine type	SMT 13/15
Catalogue	Group 3 / Page 59

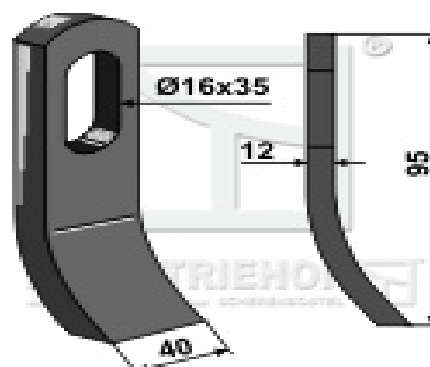
This set contains2x **63-1425** Bolt with self-locking thread1x **63-DÜC-01-1** Flail1x **63-IND-66-2** Safety

Nr.9



Part-no.	63-RM-64
Weight	0.650 kg
Radius	105
Working width	100
Assembly dimension	40
Hole	16,5
Catalogue	Group 3 / Page 12

Nr.10



Part-no.	63-TUR-51
Weight	0.340 kg
Thickness	12
Length	95
Width	40
Hole	16,5x35
Orig.-part.no.	103074
Catalogue	Group 3 / Page 150

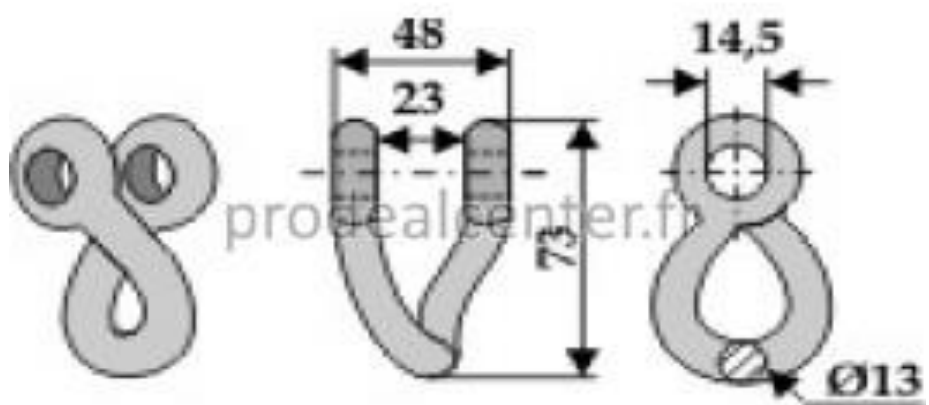
Accessories

63-TUR-72 Twisted shackle

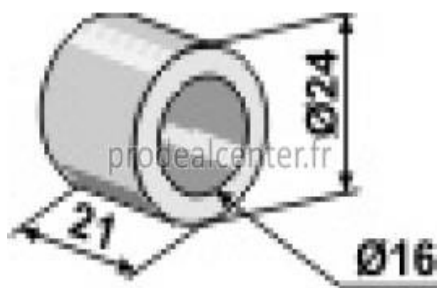
63-TUR-81 Bush

63-TUR-91 Bolt with self-locking nut -
M14x2 - 12.9

Nr.11



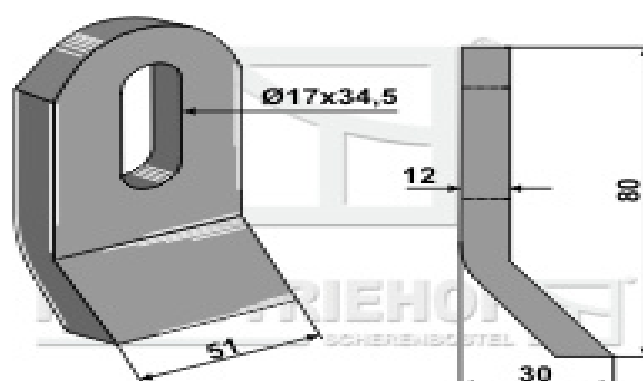
Nr. 12



Nr. 13;14.



Nr.15.



Part-no.	63-MUE-06
Weight	0.331 kg
Thickness	12
Length	80
Width	50
Hole	17x34,5
Orig.-part.no.	MU000449
Catalogue	Group 3 / Page 140

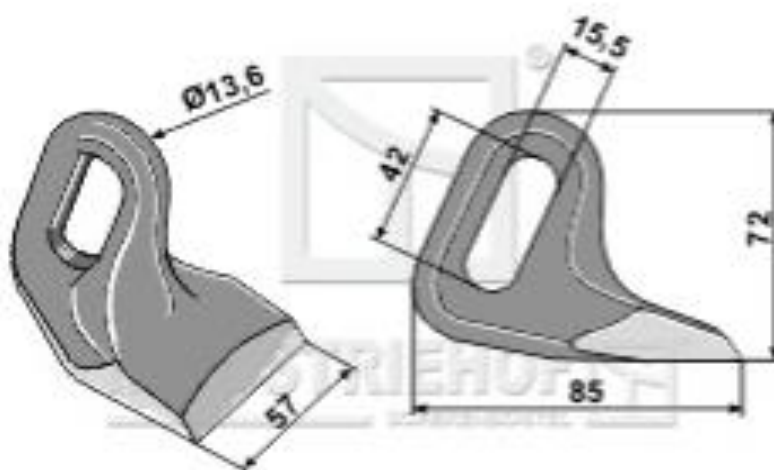
Accessories

63-TUR-72 Twisted shackle

63-TUR-81 Bush

63-TUR-91 Bolt with self-locking nut -
M14x2 - 12.9

Nr.16

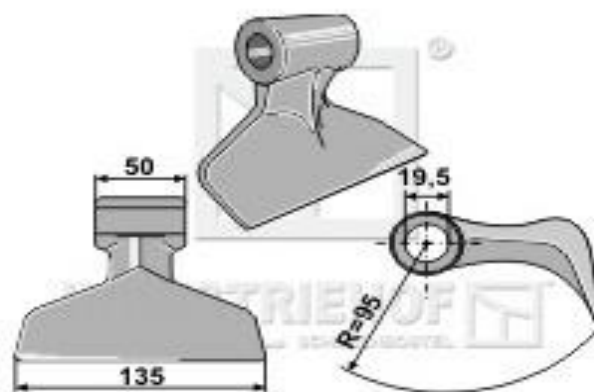


Part-no.	63-SPH-92
Weight	0.530 kg
Orig.-part.no.	7190462
Catalogue	Group 3 / Page 210

Part fitting for machine...

Manufacturer	Orig.part n°
Twose	7190462
Spearhead	7770723A

Nr. 17



Part-no.	63-RM-105-19
Weight	1.820 kg
Radius	95
Working width	135
Assembly dimension	50
Hole	19,5
Orig.-part.no.	MA/3922
Catalogue	Group 3 / Page 30

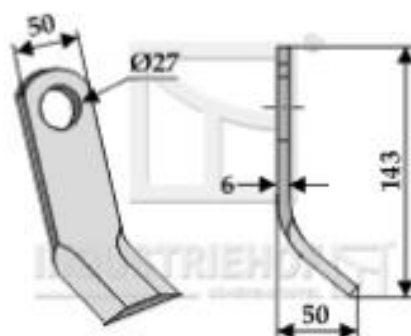
Accessories

63-BER-900 Bolt -10.9

63-BER-901 Nut - pressed

63-RM-923 Holder

Nr. 18

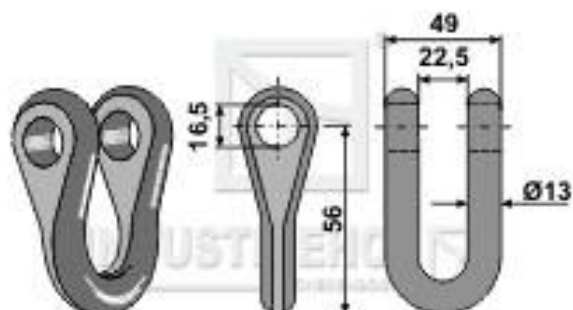


Part-no.	63-CON-52
Weight	0.310 kg
Thickness	6
Length	143
Width	50
Hole	27
Orig.-part.no.	7190315
Catalogue	Group 3 / Page 37

Part fitting for machine...

Manufacturer	Orig.part n°
Bomford	7190315
Mc Connel	7190315
Twose	7190315

Nr. 19



Part-no.	63-ORS-09
Weight	0.189 kg
H	56
D	13
A	22,5
L	49
B	16,5
Catalogue	Group 3 / Page 35

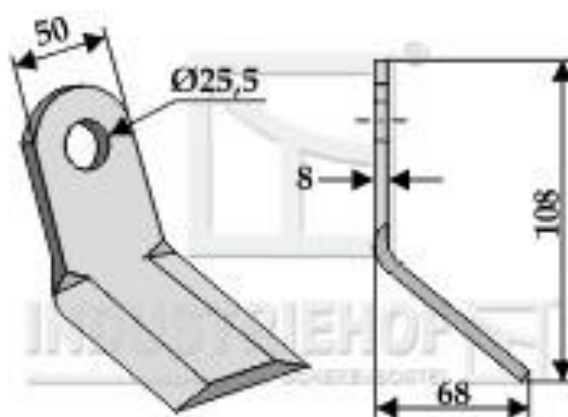
Part fitting for machine...

Manufacturer	Orig.part n°
Bomford	7390013
Orsi	7390013

Nr. 20; 21

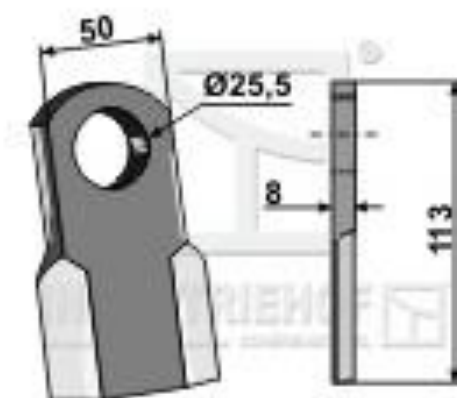


Nr. 22



Part-no.	63-BRT-07
Weight	0.400 kg
Thickness	8
Length	108
Width	50
Hole	25,5

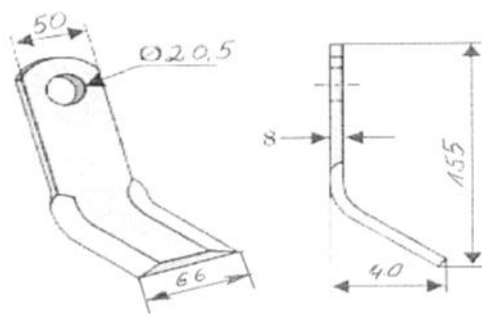
Nr.23



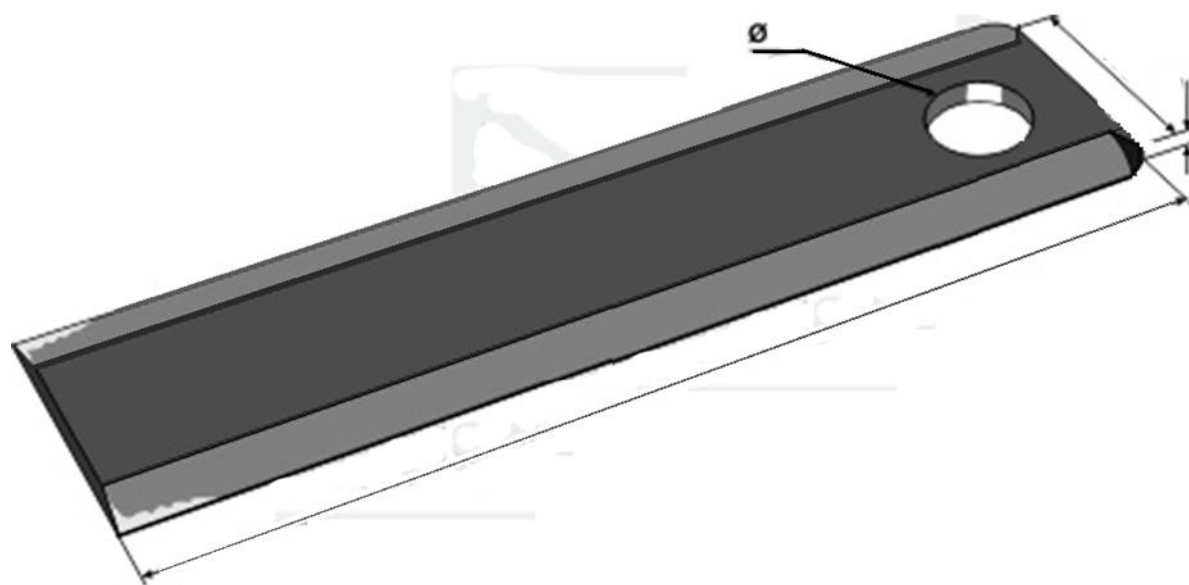
Part-no.	63-BRT-14
Weight	0.360 kg
Thickness	8
Length	113
Width	50
Hole	25,5

Nr. 24

№ 24



Nr. 25



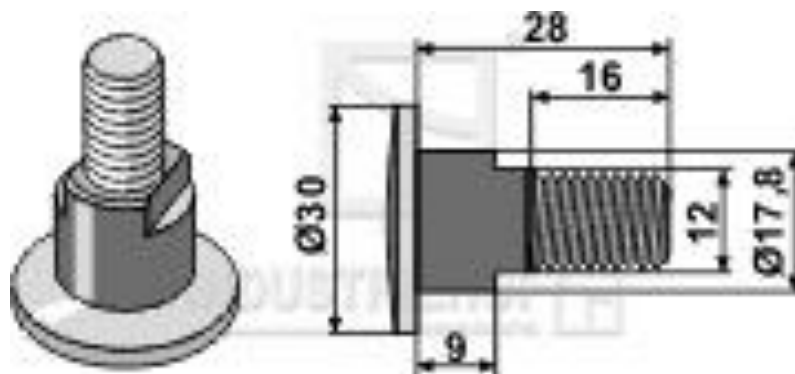
Skylės diametras – 21 mm

ilgis – 140 mm

storis – 3 mm

plotis – 49 mm

Nr. 26



Svoris : 0.057 kg.
Klasė kietumo: 12.9
Diametras : M12x1,75
Detalės numeris : 56115800

Nr. 27



Svoris: 0.126 kg.

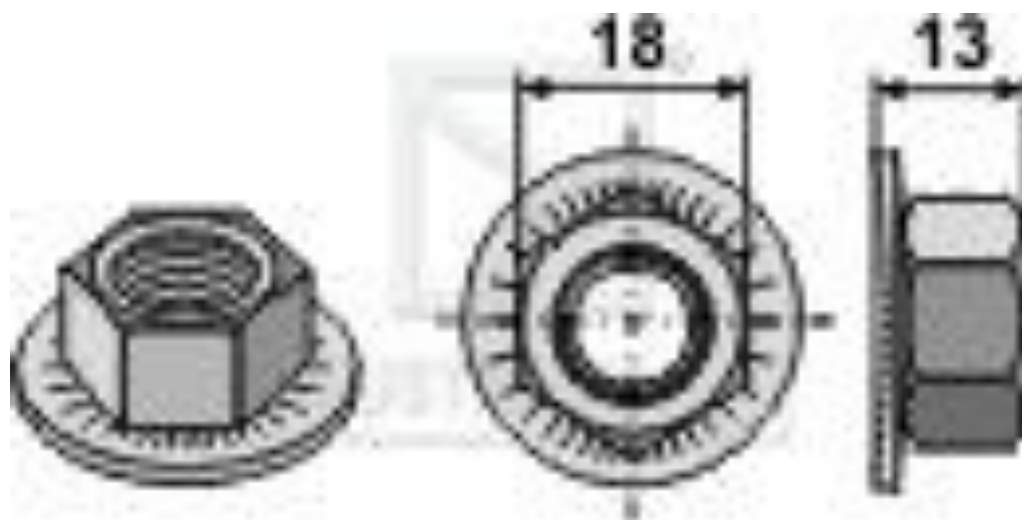
Detalės numeris: 55903210

Nr. 28



Detalēs svoris : 0.126 kg.
Detalēs numeris :55903310

Nr. 29

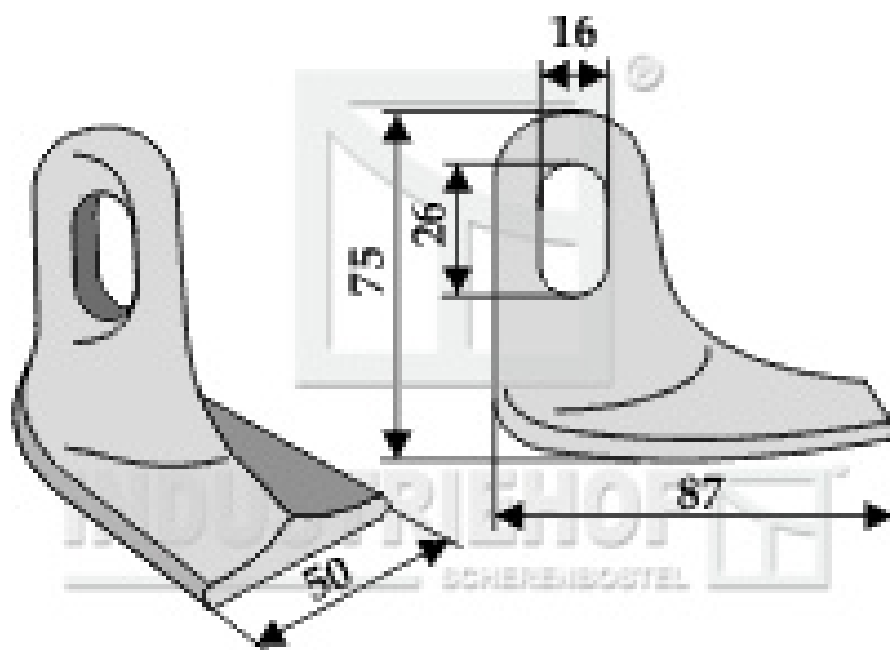


Svoris ;0.021 kg

Diametras : M12x1,75

Detalės numeris . 80201262

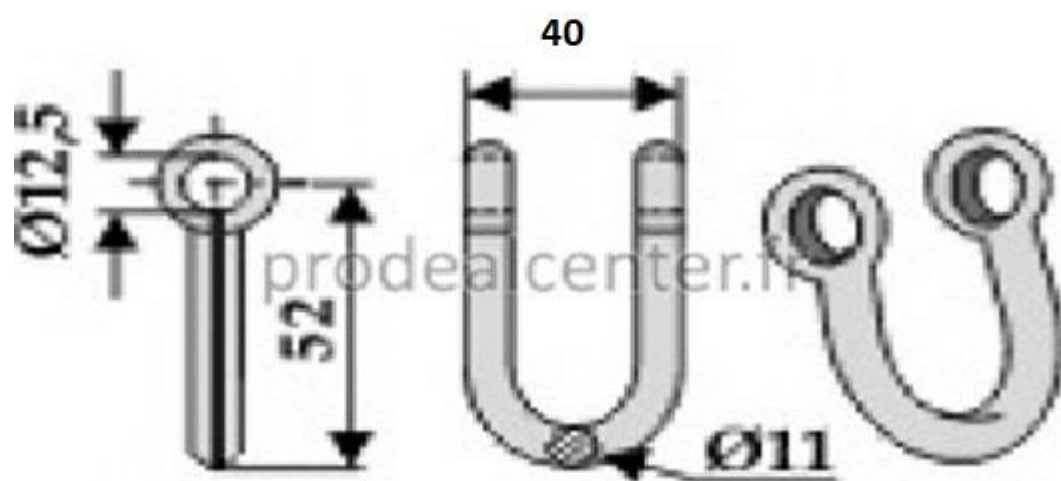
Nr. 30



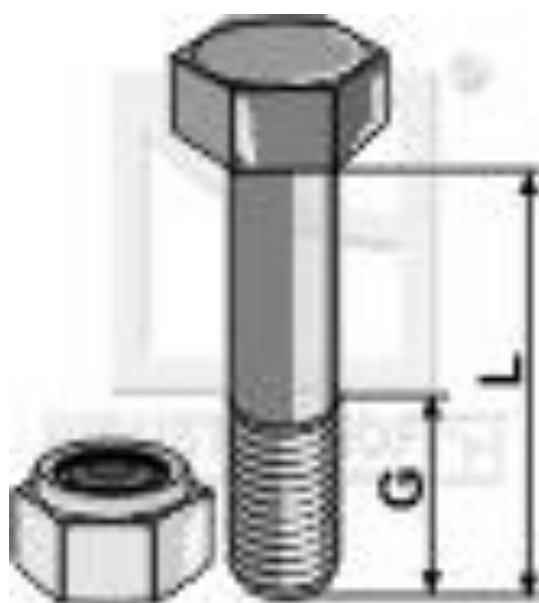
Svoris : 0,470 kg/

Detalės numeris : 880 000 12

Nr.31



Nr. 32



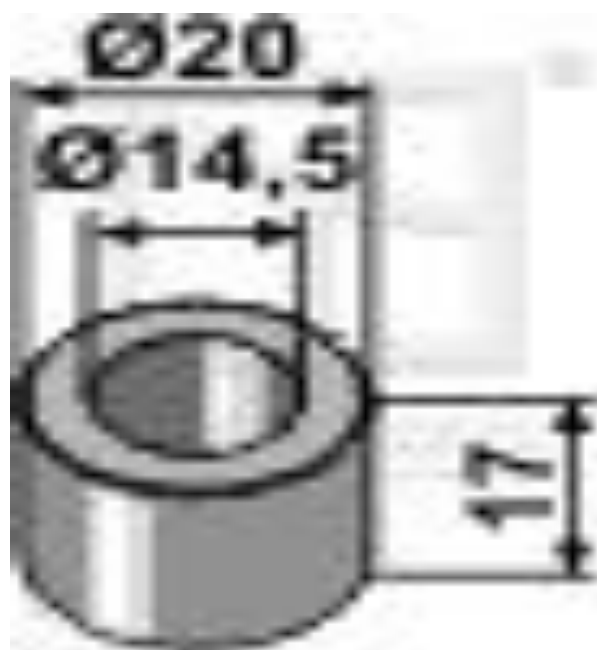
Varžtas: 12 x 1.75

Kietumo klasė: 10.9

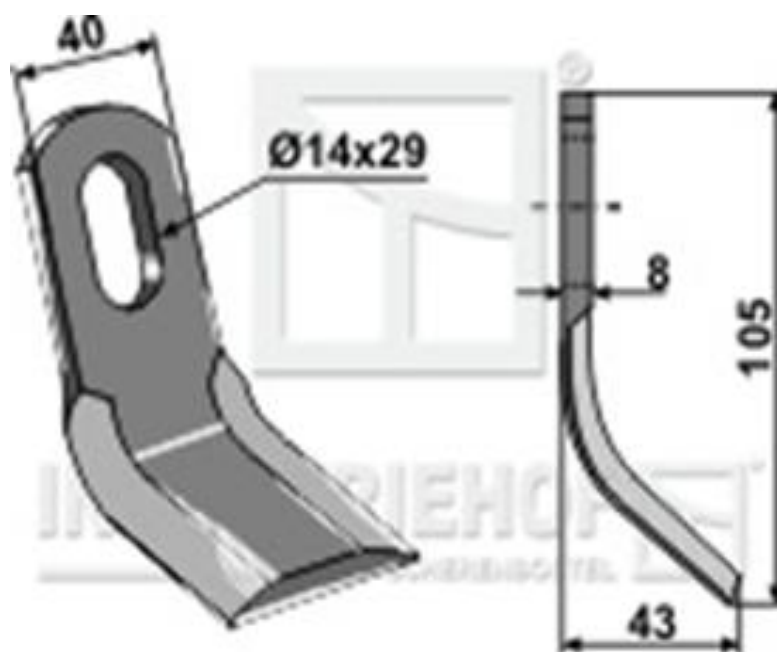
Ilgis L : 80 mm

Sriegio ilgis G : 20 mm

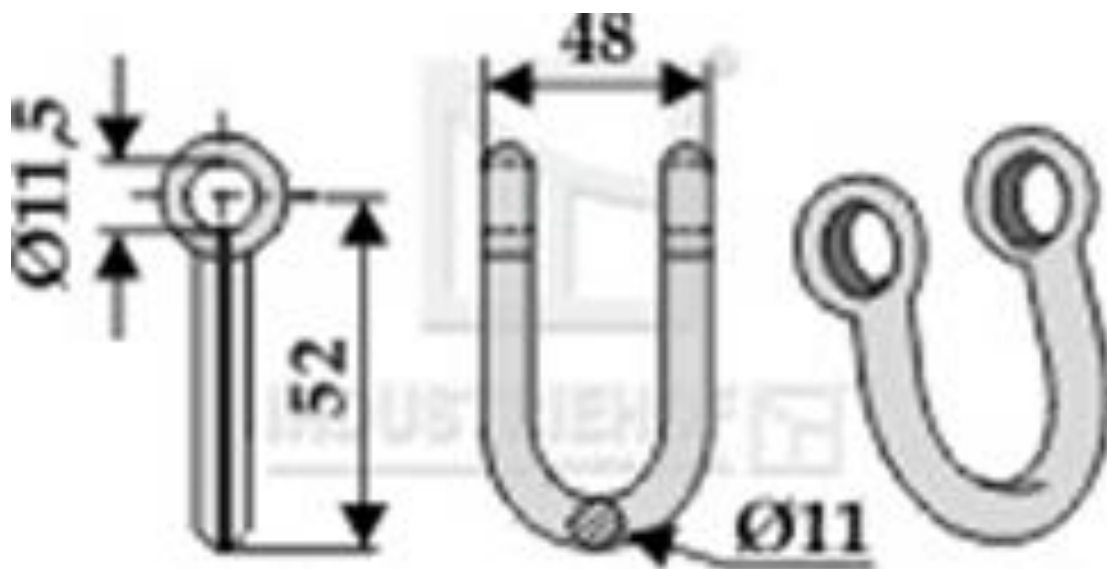
Nr.33



Nr. 34



Nr. 35



Nr. 36



Varžtas: 12 x 1.75

Kietumo klasė: 10.9

Ilgis L : 80 mm

Sriegio ilgis G : 26 mm

Nr. 37



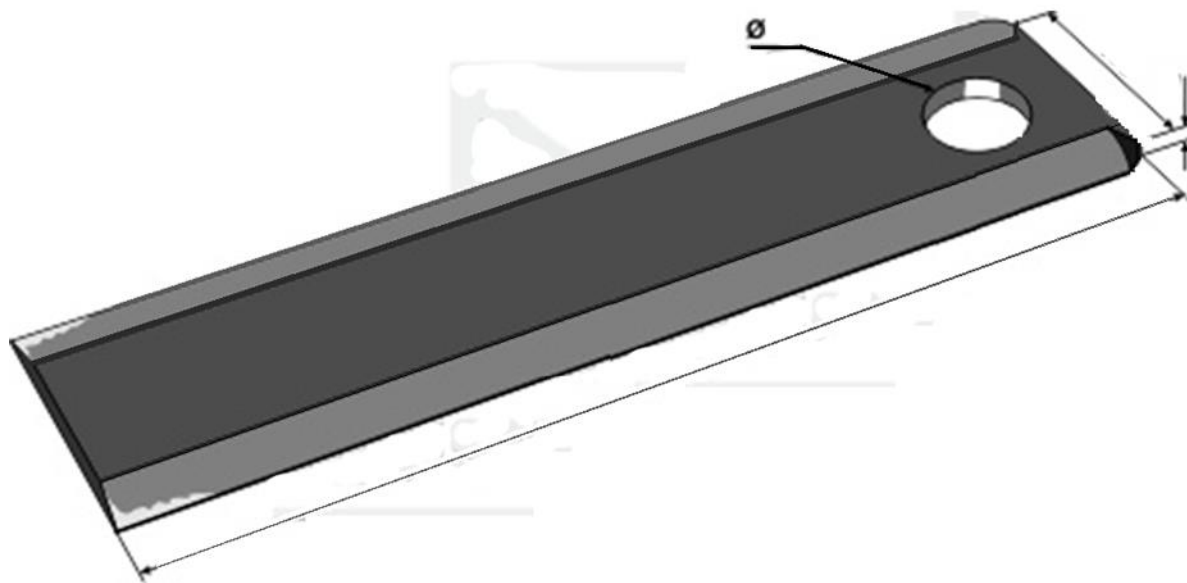
Varžtas: 16 x 2.0

Kietumo klasė: 10.9

Ilgis L : 75 mm

Sriegio ilgis G : 26 mm

Nr. 38



Skylės diametras – 21 mm

ilgis – 100 mm

storis – 3 mm

plotis – 49 mm

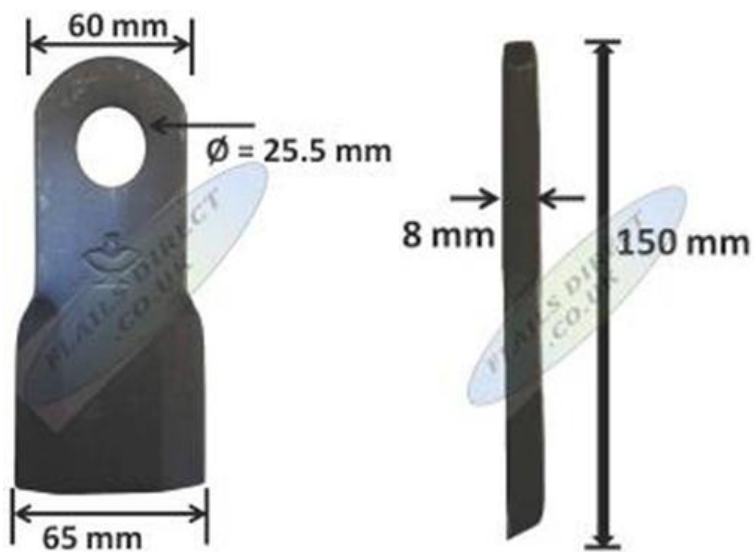
Nr. 39, 40, 41

Varžtas M16x2x100 kietumo klasė 10,9

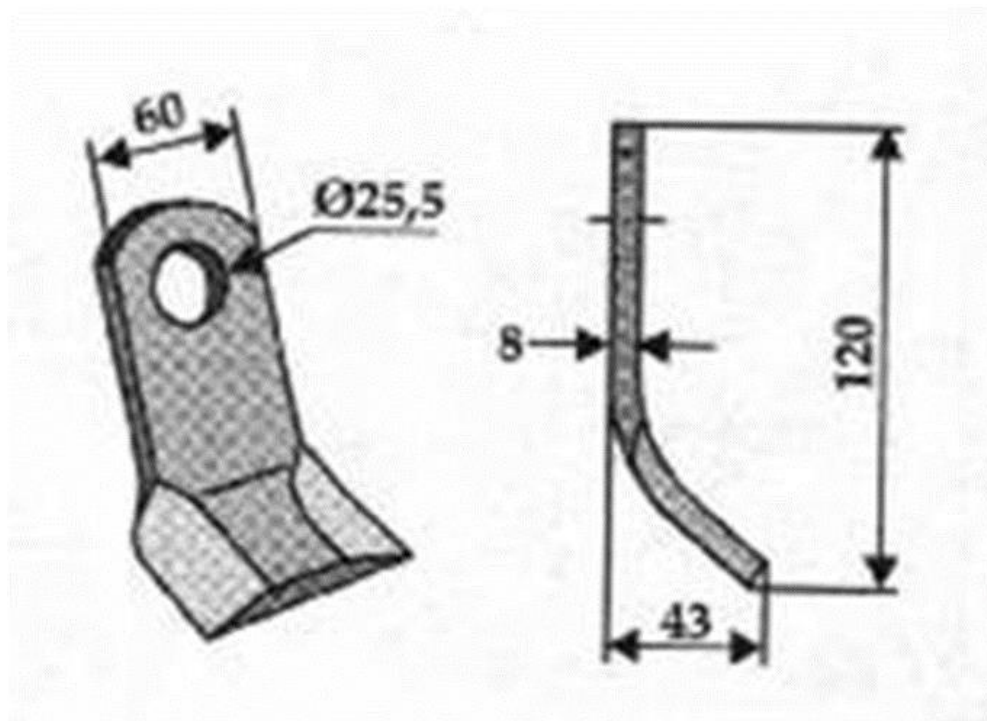
Veržlė fiksuojanti (su polietilenu) M16x2

Varžtas M16x2x100 kietumo klasė 8,8

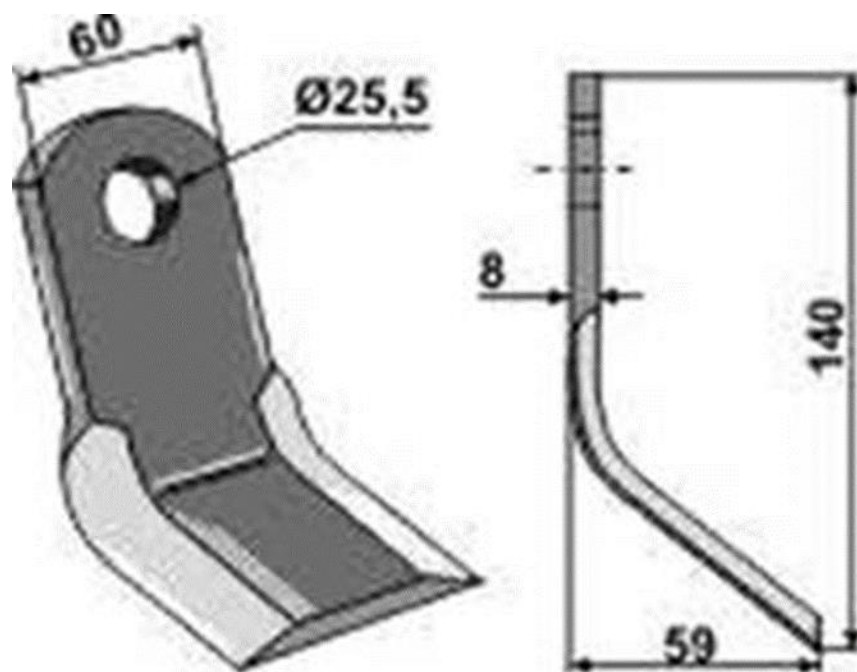
Nr. 42



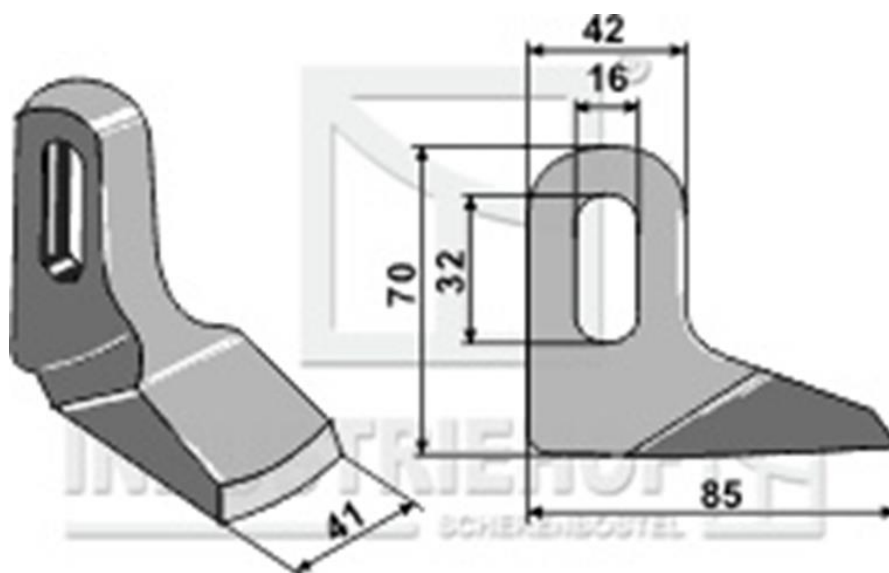
Nr. 43



Nr. 44



Nr. 45



63-rm-17

Part-no. 63-RM-17

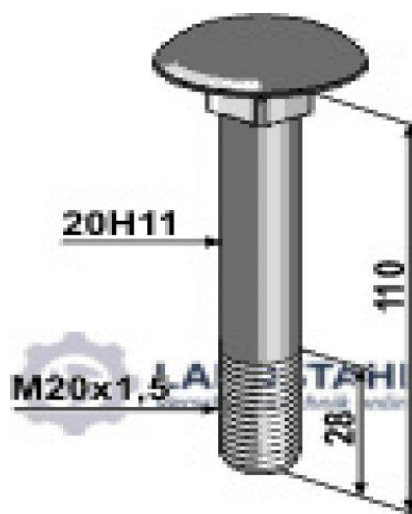
Weight 0.440 kg

Orig.-part.no. 13800

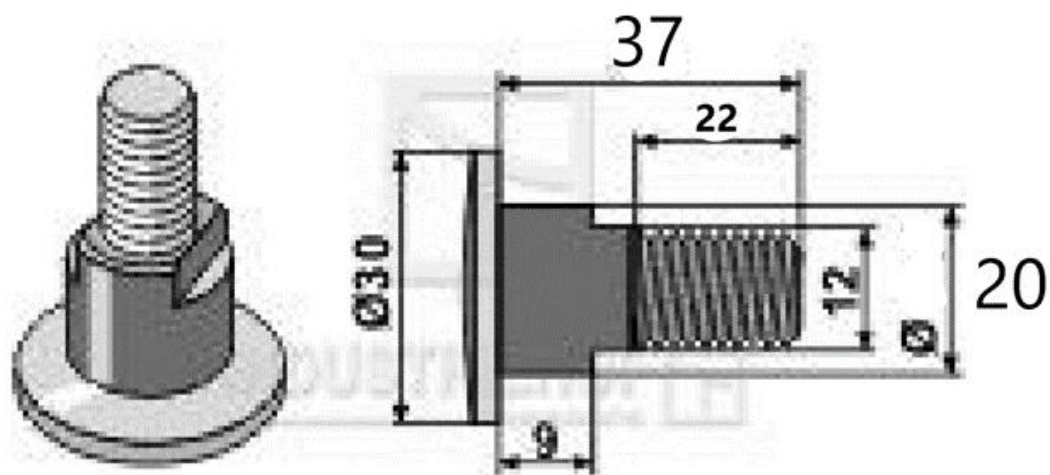
Nr. 46



Nr. 47

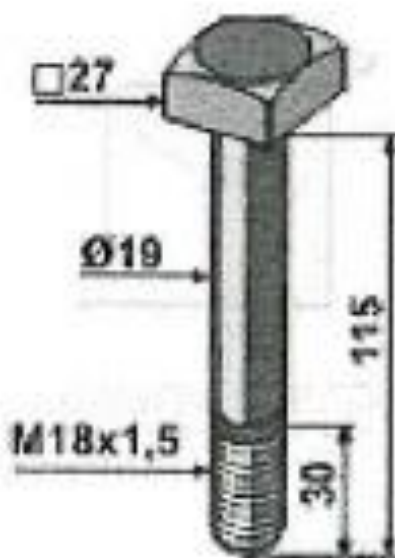


Nr. 48

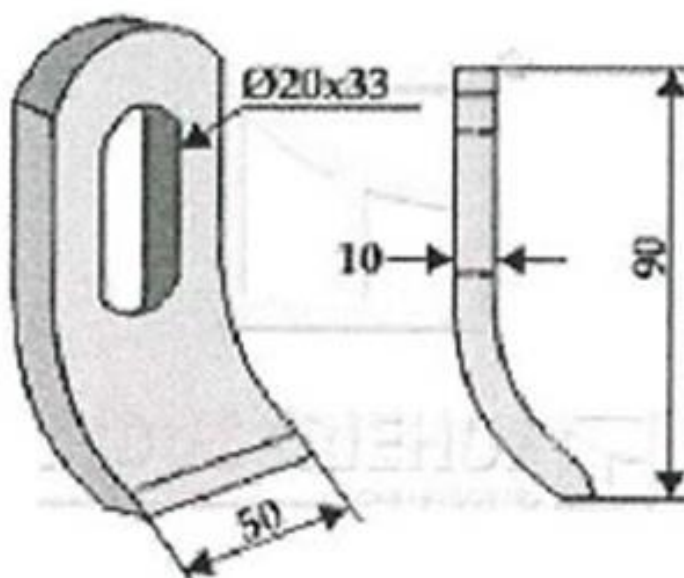


Varžtas RASA naujo modelio

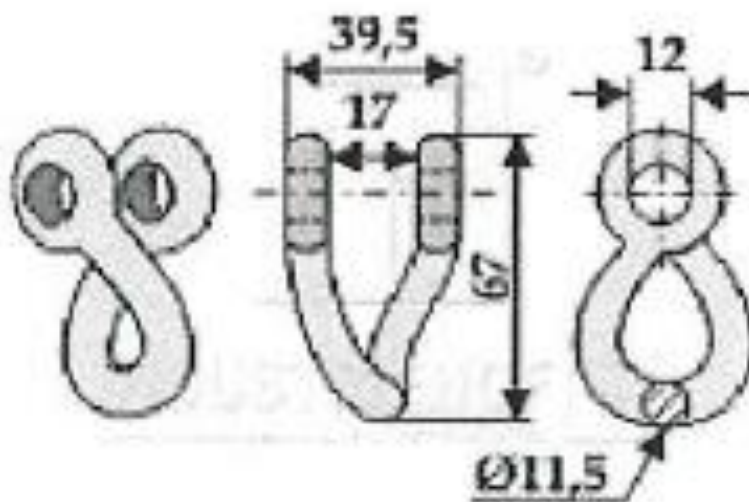
Nr. 49



Nr. 50



Nr. 51



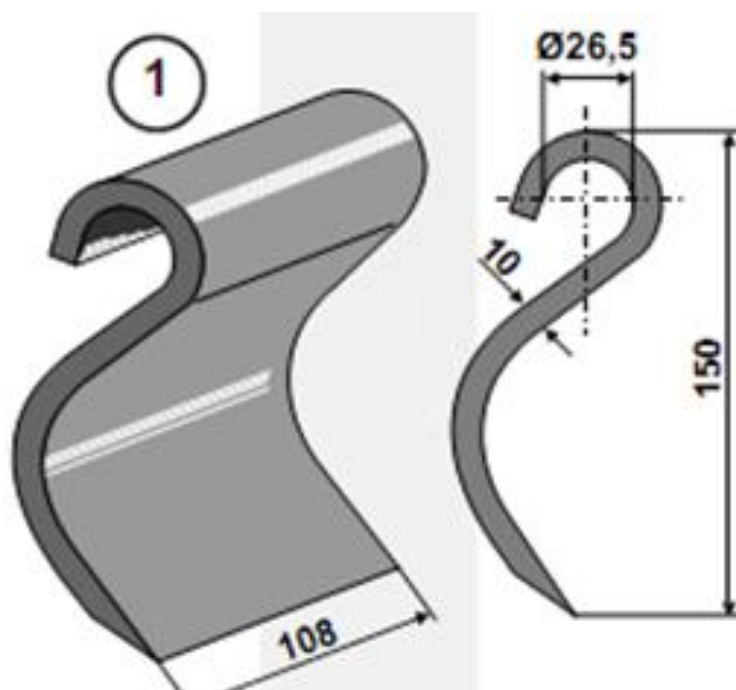
Nr. 52,53,54,

Varžtas M14x1,5x90 kietumo klasė 12,9

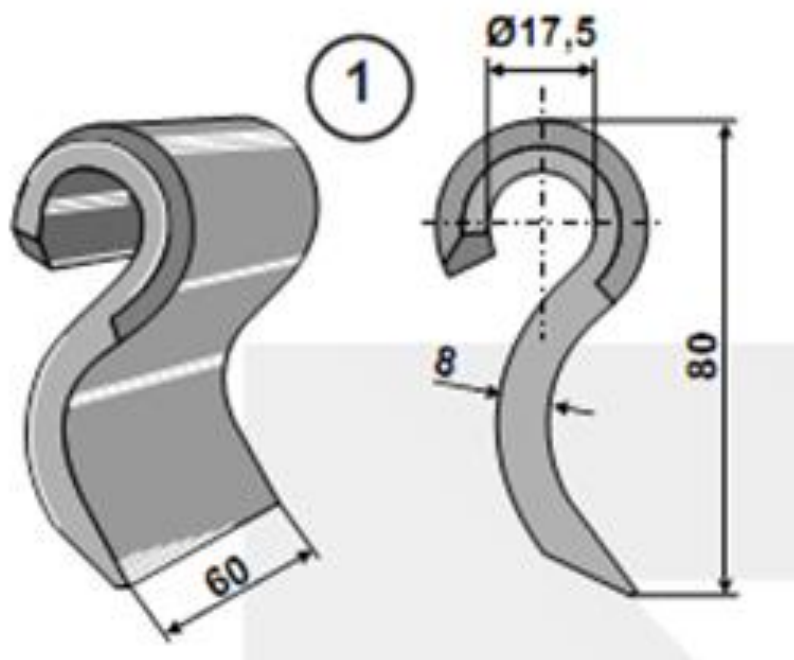
Varžtas M18x1,5x115 kietumo klasė 10,9

Veržlė M18x1,5

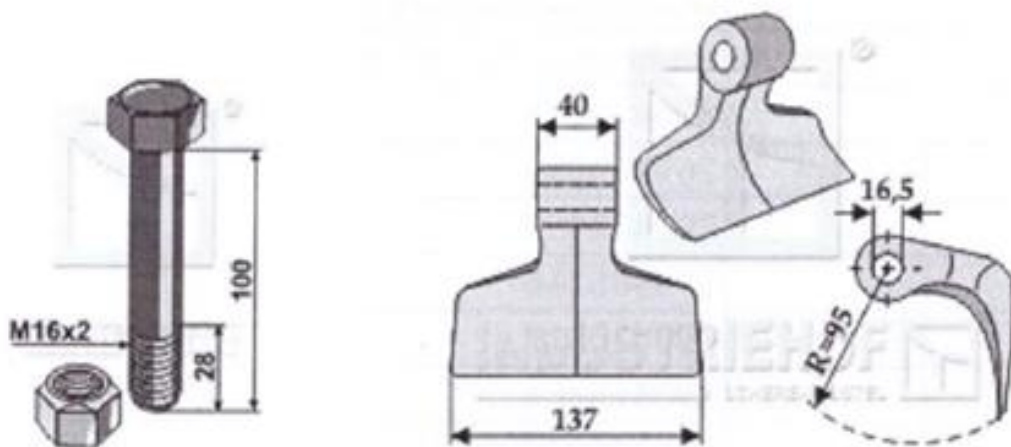
Nr. 55



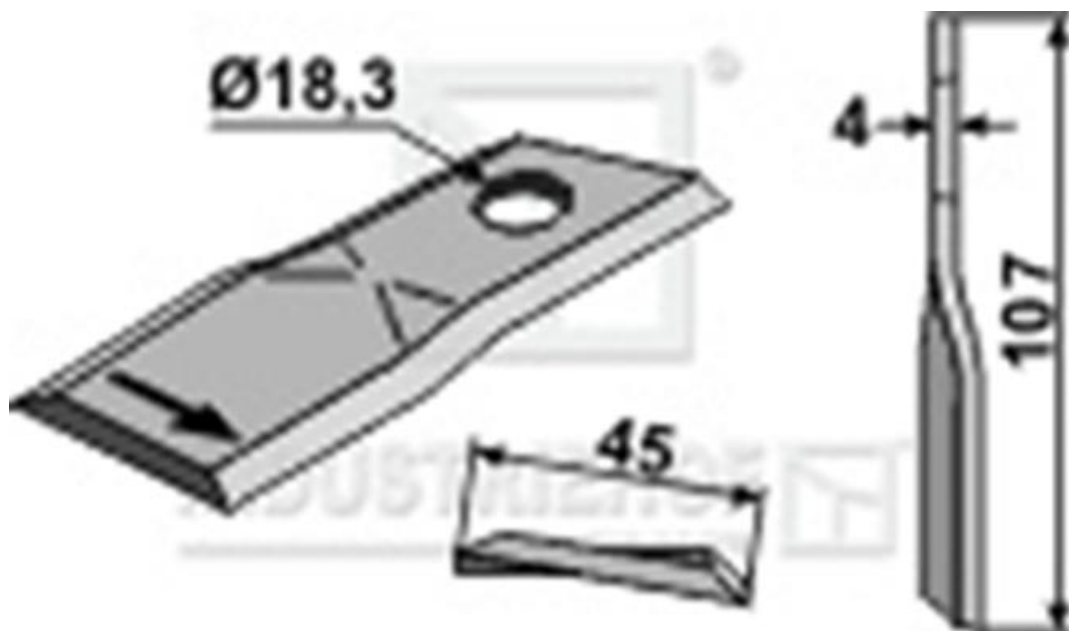
Nr. 56



Nr. 57



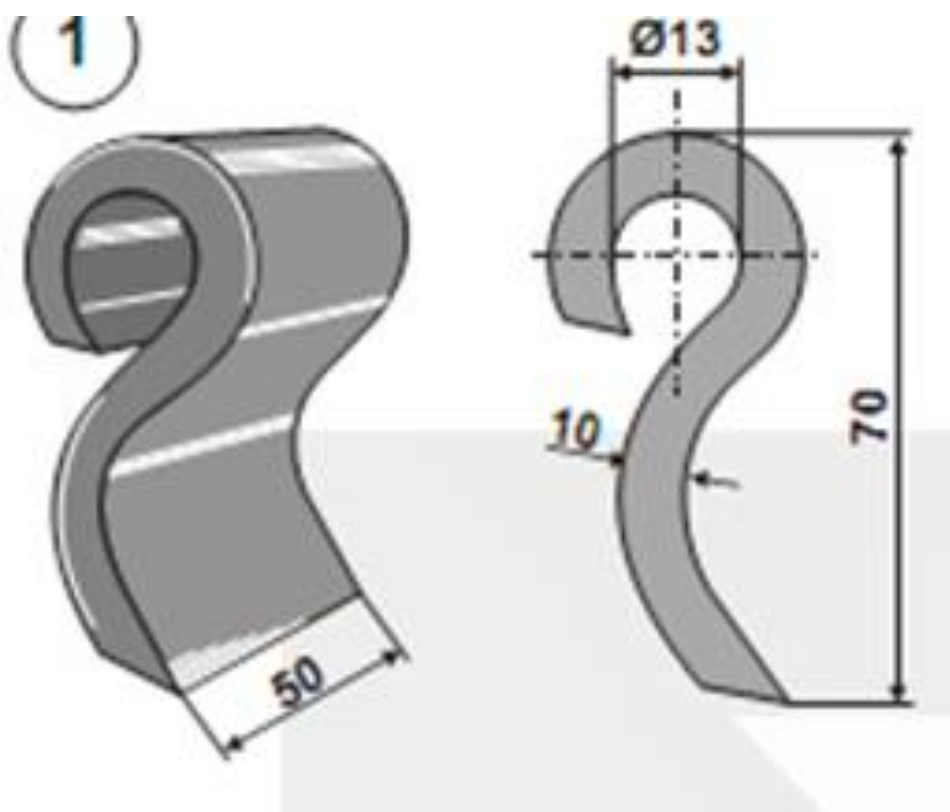
Nr. 58



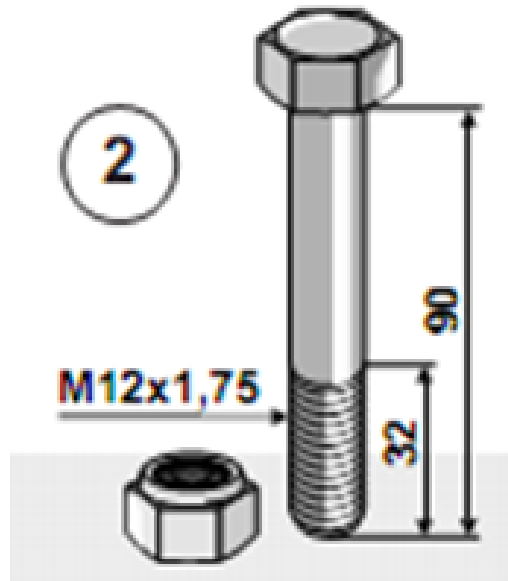
Nr. 59



Nr. 60



Nr. 61



Nr. 62, 63, 64, 65

Mulag

Neue Ausführung
Nouveau modèle
New model

Best. Nr.: réf. article part-no.	Orig.-Nr. réf. origine orig.-part-no.	Gewicht poids weight
63-IND-96	142385	1,820
63-MUL-82	162960	0,710
63-MUL-81	162957	0,090
63-MUL-83	164394	0,015

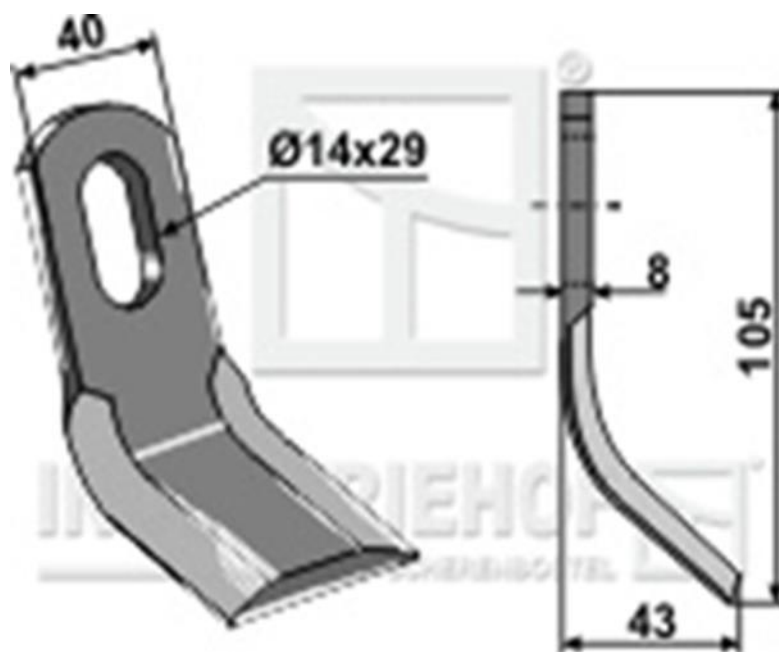
1 Schlegel
fléau / flail

2 Bolzen
piton / pin

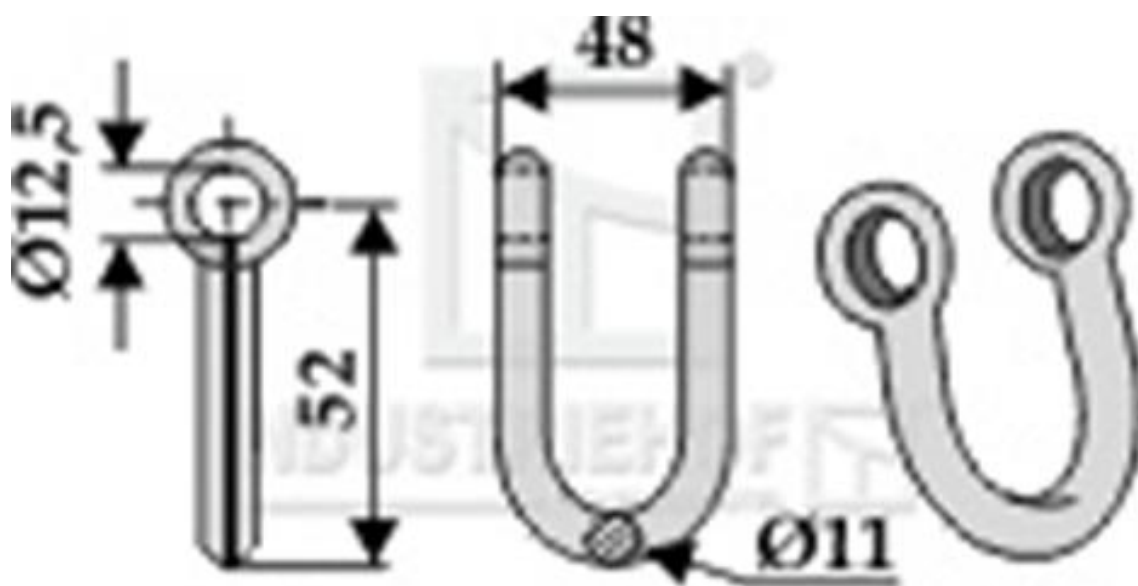
3 Klemmring
anneau de serrage / clamping-ring

4 Spannstift
goupille de serrage
clamping pin

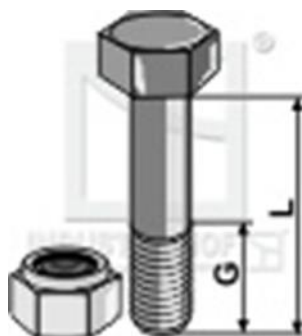
Nr. 66



Nr. 67



Nr. 68



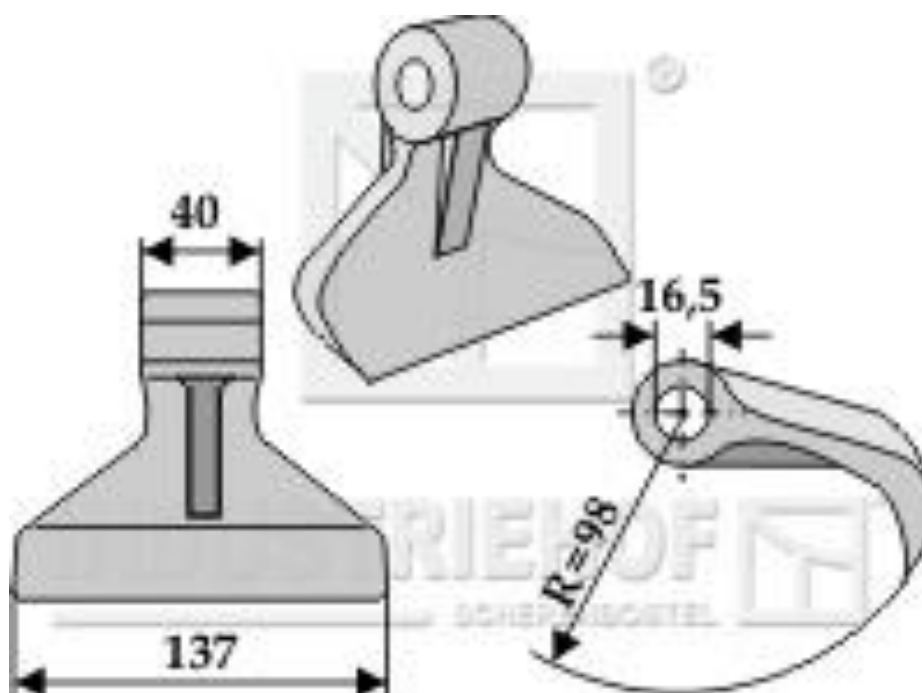
Varžtas: 12 x 1.75

Kietumo klasė: 10.9

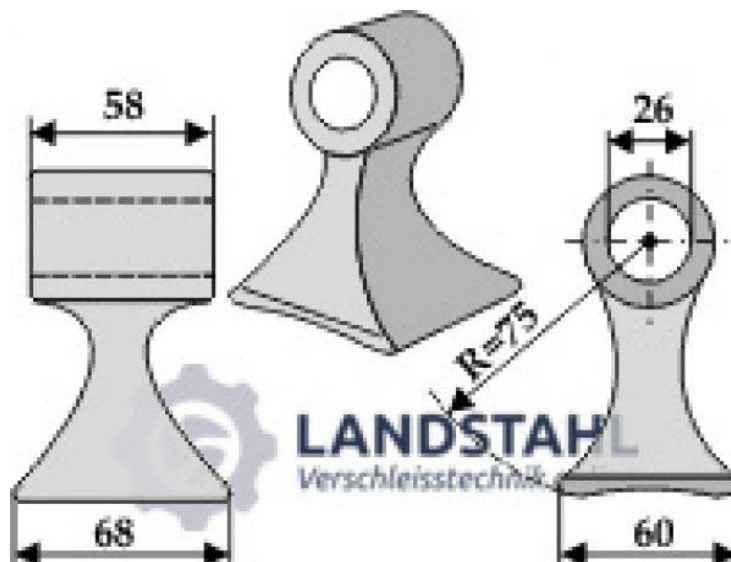
Ilgis L : 65 mm

Sriegio ilgis G : 26 mm

Nr. 69



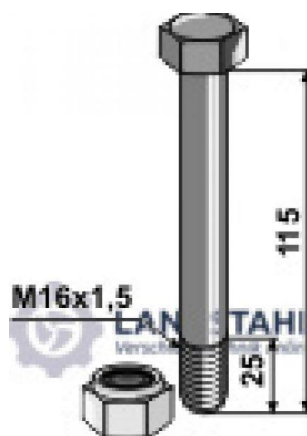
Nr. 70



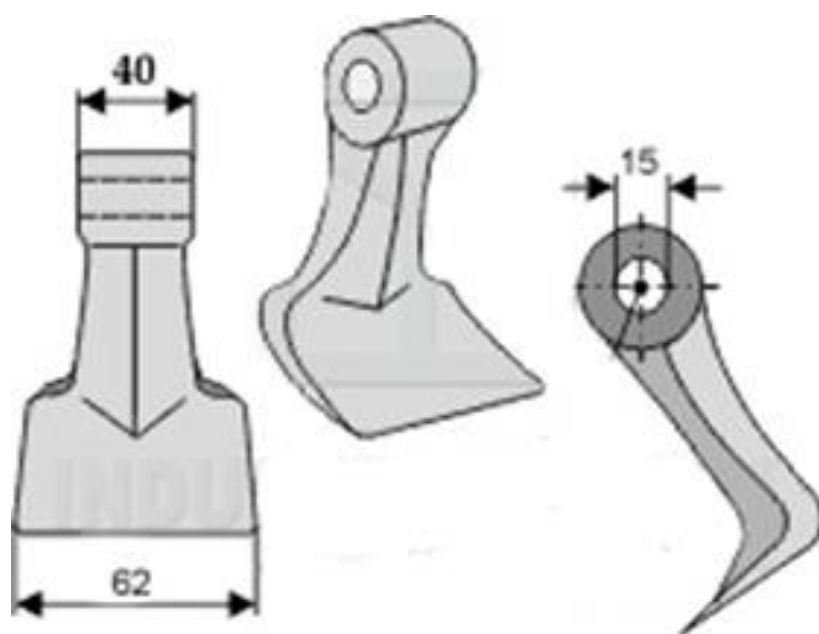
Nr. 71



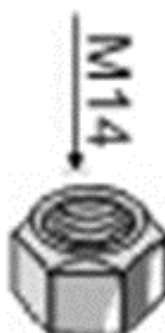
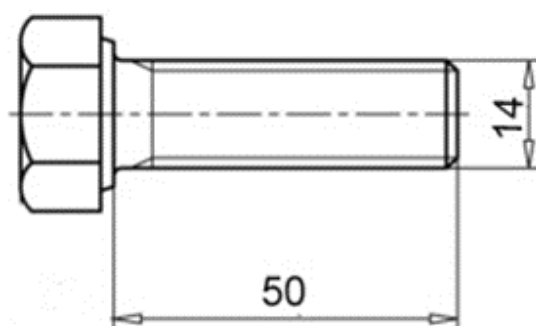
Nr. 72



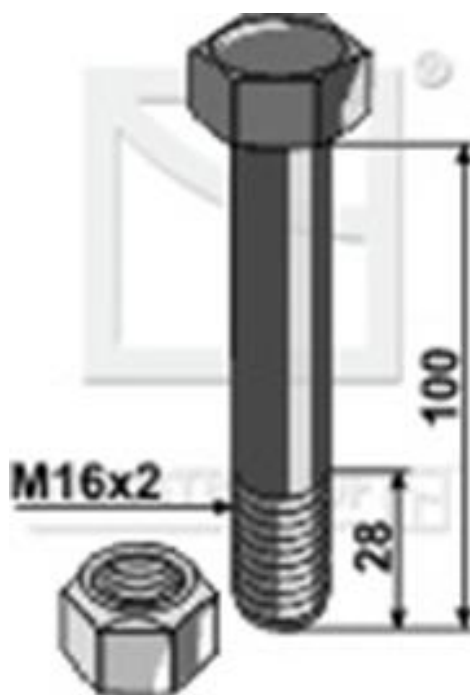
Nr. 73



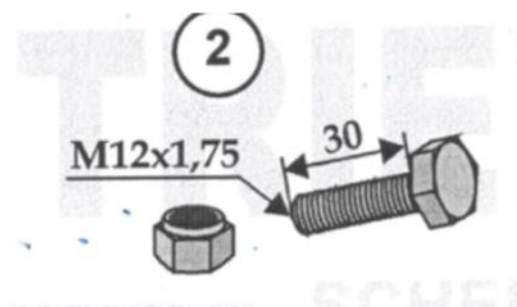
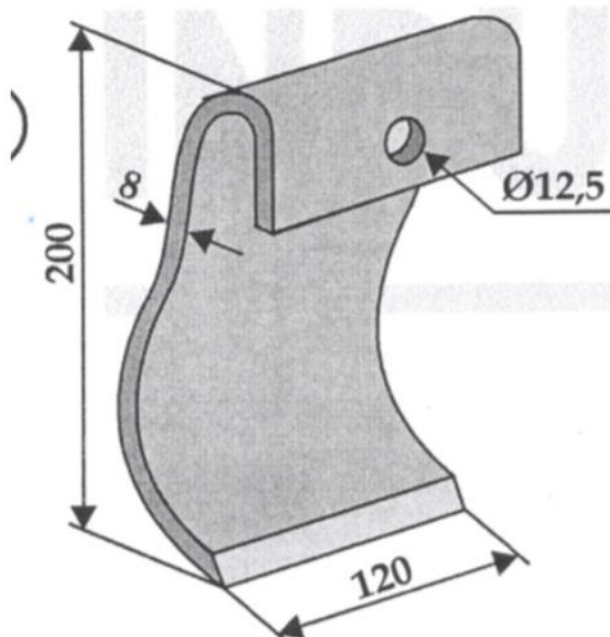
Nr. 74



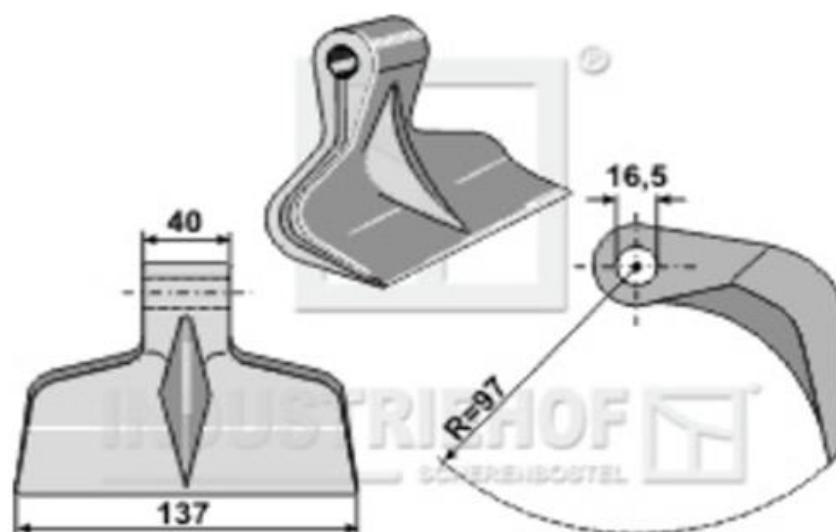
Nr. 75



Nr. 76, 77

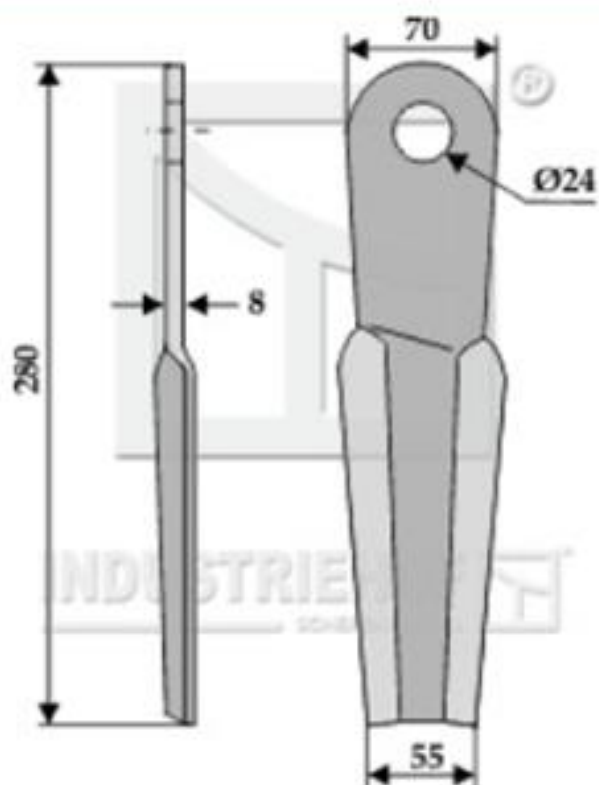


Nr. 78



Part-no.	63-RM-74
Weight	1.820 kg
Radius	97
Working width	137
Assembly dimension	40
Hole	16,5
Catalogue	Group 3 / Page 31

Nr. 79



Part-no. 63-IND-49-L

Weight 0.870 kg

Thickness 8

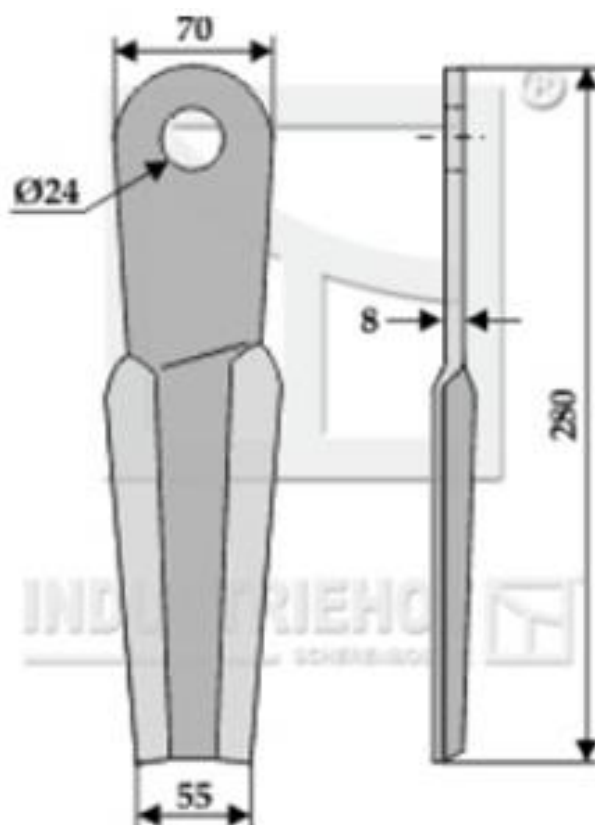
Length 280

Width 70

Hole 24

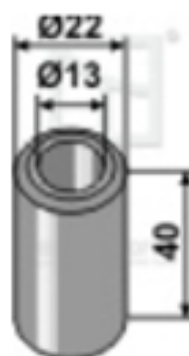
Orig.-part.no. 101880

Nr. 80



Part-no.	63-IND-49-R
Weight	0.870 kg
Thickness	8
Length	280
Width	70
Hole	24
Orig.-part.no.	101880

Nr. 81



Part-no.	63-DOP-61
----------	-----------

Weight	0.070 kg
--------	----------

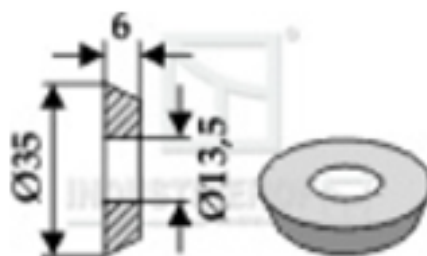
D	13
---	----

L	40
---	----

B	22
---	----

Catalogue	Group 3 / Page 52
-----------	-------------------

Nr. 82



Part-no.	63-DOP-81
----------	-----------

Weight	0.030 kg
--------	----------

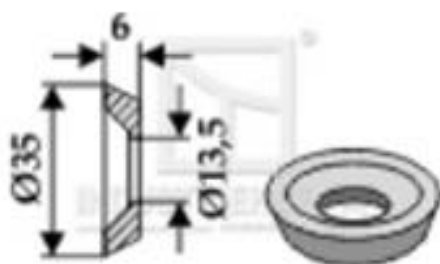
D	13,5
---	------

L	6
---	---

B	35
---	----

Catalogue	Group 3 / Page 52
-----------	-------------------

Nr. 83



Part-no.	63-DOP-82
----------	-----------

Weight	0.025 kg
--------	----------

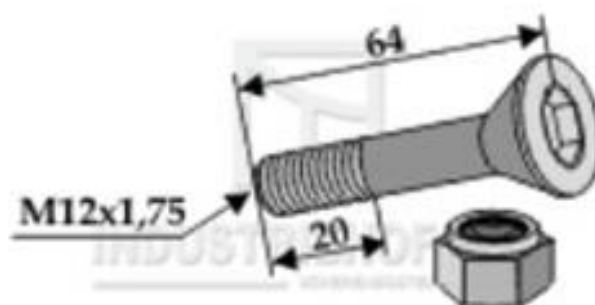
D	13,5
---	------

L	6
---	---

B	35
---	----

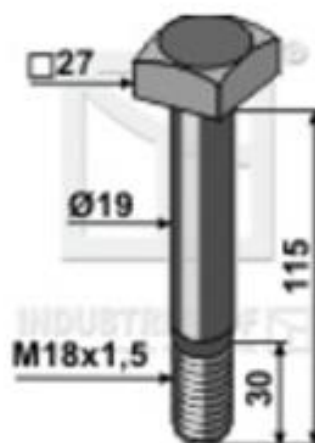
Catalogue	Group 3 / Page 52
-----------	-------------------

Nr. 84



Part-no.	63-DOP-91
Weight	0.075 kg
Quality	10.9
Catalogue	Group 3 / Page 52

Nr. 85



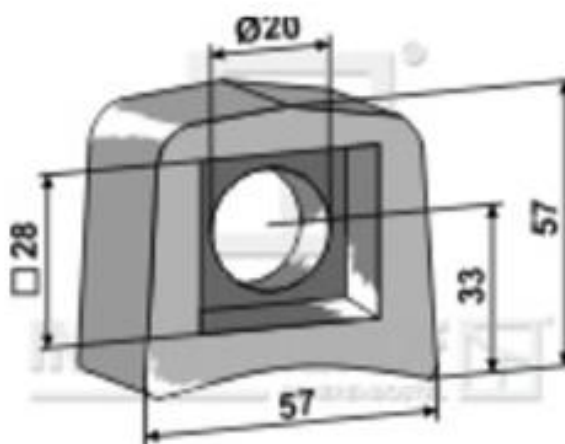
Part-no.	63-BER-900
Weight	0.300 kg
Orig.-part.no.	VTQ27M18/3921
Catalogue	Group 3 / Page 30

Nr. 86



Part-no.	63-BER-901
Weight	0.045 kg
Thread	M18x1,5
Orig.-part.no.	DE18AL6SPFZAB
Catalogue	Group 3 / Page 30

Nr. 87



Part-no.	63-RM-923
----------	-----------

Weight	0.370 kg
--------	----------

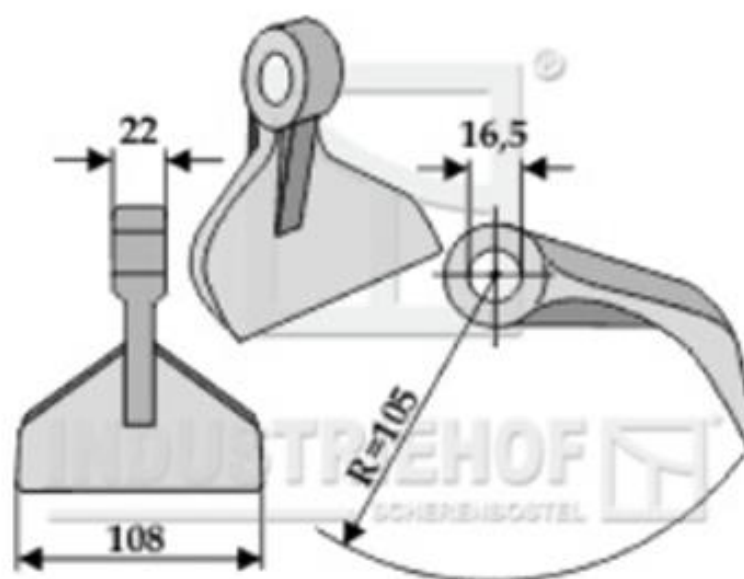
Thickness	22mm
-----------	------

Orig.-part.no.	SQF19-3923
----------------	------------

Catalogue	/en/news/
-----------	---------------------------

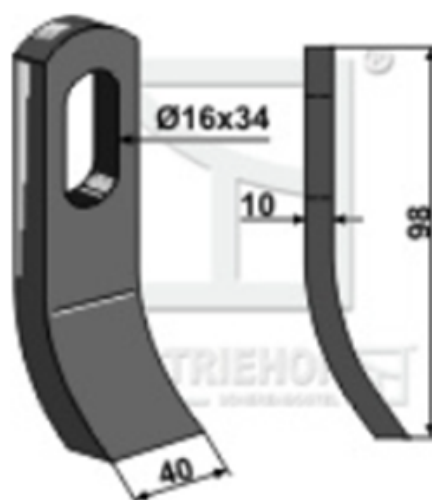
Group 3 / Page 30

Nr. 88



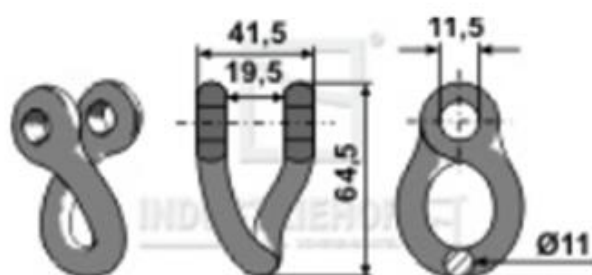
Part-no.	63-RM-7-16
Weight	0.780 kg
Radius	105
Working width	108
Assembly dimension	22
Hole	16,5
Orig.-part.no.	0901134

Nr. 89



Part-no.	63-MUL-54
Weight	0.280 kg
Thickness	10
Length	98
Width	40
Hole	16x34
Orig.-part.no.	103070
Catalogue	Group 3 / Page 83

Nr. 90



Part-no.	63-NOR-70
Weight	0.140 kg
H	64,5
D	11
A	19,5
L	41,5
B	11,5
Catalogue	Group 3 / Page 151

Nr. 91



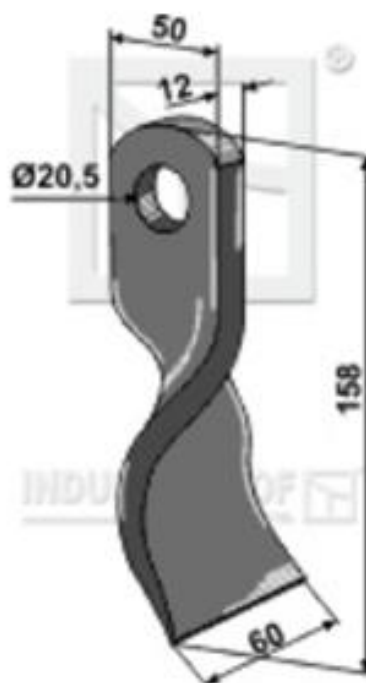
Part-no.	63-SMA-61
Weight	0.030 kg
D	12
L	22
B	20
Catalogue	Group 3 / Page 202

Nr. 92, 93



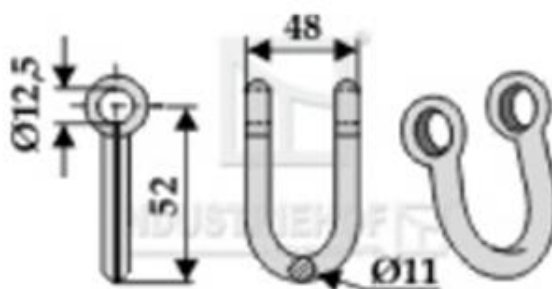
Part-no.	63-VOT-91
Weight	0.065 kg
Quality	12.9
Thread	M10x1,5
L	75
G	24
Opening of the spanner	17
Catalogue	Group 3 / Page 91

Nr. 94



Part-no.	63-HYM-12
Weight	0.670 kg
Catalogue	Group 3 / Page 100

Nr. 95



Part-no.	63-ORS-02
----------	-----------

Weight	0.125 kg
--------	----------

H	52
---	----

D	11
---	----

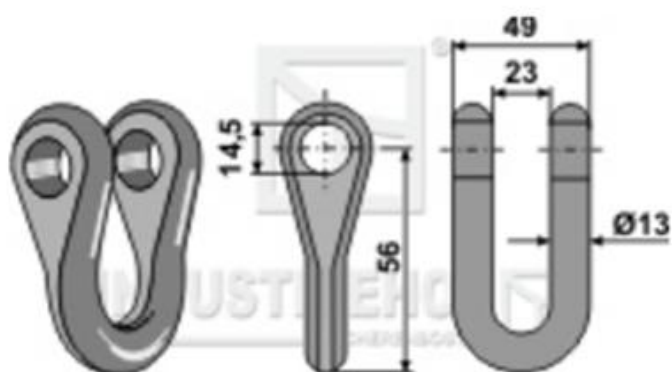
A	26
---	----

L	48
---	----

B	12,5
---	------

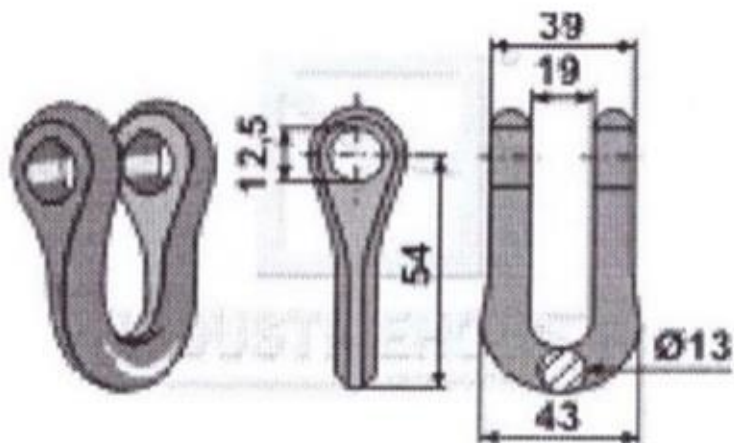
Catalogue	Group 3 / Page 13
-----------	-------------------

Nr. 96



Part-no.	63-SMA-75
Weight	0.180 kg
H	56
D	13
A	23
L	49
B	14,5
Catalogue	Group 3 / Page 70

Nr. 97



Nr. 98, 99

